

4-Channel Supervisor IC for Power Supply with OCP & OTP Protections

Features

- Over-voltage protection and lockout for 3.3V, 5V, and two 12V power supplies
- Under-voltage protection and lockout for 3.3V, 5V, and two 12V power supplies
- Over-current protection and lockout for 3.3V, 5V and two 12V power supplies
- Open drain output for PGO and FPO/ pins
- 300mS power good delay
- 75mS delay for under voltage and over current protection
- 38mS for PSON/ de-bounce
- 73uS width noise de-glitches
- Wide power supply voltage range
- Special care for AC power off
- Programmable over-temperature protection

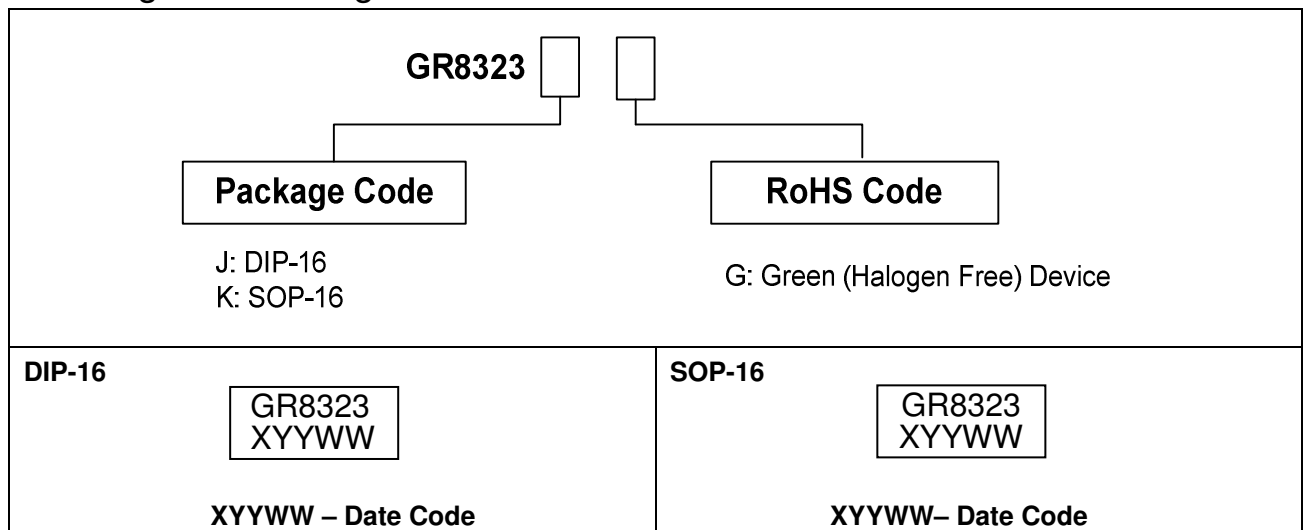
Applications

- PC power supply
- LCD TV power supply

Description

The GR8323 is designed to monitor the outputs of switching power supply and generates the power good signal to inform the system. It provides over-voltage protection, under-voltage protection, over-current protection, and power good signal generating. The over-voltage protection (OVP) and under-voltage protection (UVP) monitor 3.3V, 5V and two 12V to protect the power supply and system. Over-current protection (OCP) monitors IS33, IS5, IS12A, IS12B input current sense. An adjustable over-current trip point composed of Iref and a setting resistor help users design the OCP easily. The over-temperature protection (OTP) input has hysteresis function. GR8323 will shutdown in OTP condition. The power-good feature issues a power-good signal when the output is ready; therefore, the GR8323 provides a reliable power supply environment for the system.

Ordering and Marking Information



Greenergy OPTO Inc. reserves the right to make changes to improve reliability or manufacture ability without notice, and advise customers to obtain the latest version of relevant information to verify before placing orders.